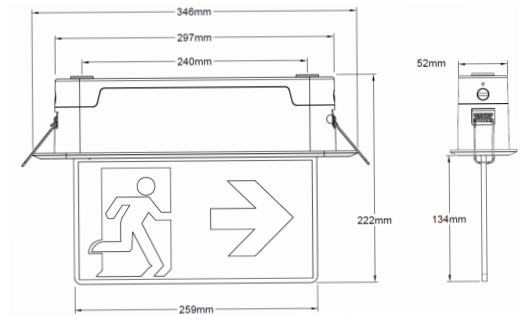


# HEATHGATE RANGE



The Heathgate range presents a stylish and compact double-sided LED exit sign that is suitable for ceiling recess mount applications. You can choose between a switchable maintained/non-maintained, DALI-2 self-test, or a MyMesh Ready wireless version. The fitting comes with a PMMA screen-printed legend plate that allows you to view the sign from a distance of up to 25m.

You can select between arrow up (AU), arrow down (AD), or arrow left/right (ALAR) legend panels. It's worth noting that all legends are single-sided, except for ALAR which is double-sided. The Lithium Iron Phosphate (LiFePO4) batteries used in the unit not only offer double the life of traditional emergency lighting batteries but also consume less power during their operation.

Part code	Charging M* W	Charging NM* W	Duration hrs	Cells LiFePO4	Weight kg
TLHEA/M	5.7	0.2	3	3.2V 3.8Ah	0.9
TLHEA/ST	5.4	0.3	3	3.2V 3.8Ah	0.9
TLHEA/DA	5.4	0.3	3	3.2V 3.8Ah	0.9
TLHEA/ME	5.6	0.5	3	3.2V 3.8Ah	0.9

\* Following its initial charge, the unit will spend 90% of its operational life in standby mode.

M = Switched Maintained    ST = Self Test Emergency    DA = DALI Addressable    ME = Mymesh Emergency  
 AU = Arrow Up    AD = Arrow Down    ALAR = Arrow Left/Right    SL\*\* = Slave