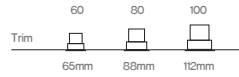




### Specification

3000 K, 4000 K,  
CRI >90, CRI >90  
IP44  
30° Tilt

### Types



### Colours

Colours : ● ○  
Black White  
Baffle : ● ○  
Black White

### Beam Angle

● ● ● ● ●  
20°/40°/55° (Lens) for WILLMER-60  
15°/30°/50°/60° (Lens) for WILLMER-80  
30°/40°/50°/60° (Lens) for WILLMER-100



30° Tilt



IP44



IK04



L90/B10  
60,000 hrs

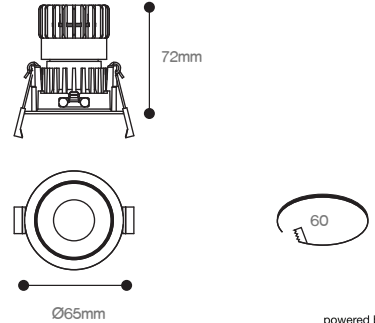
powered by  
**TRIDONIC**

The Willmer Range consists of three sizes of recessed downlights, each with a fixed and an adjustable option. Various lens options are available, with 3000K and 4000K, and CRI 80 and CRI 90 high efficiency LED modules to suit all applications. Available in either black or white housing and black or white coloured baffle.

The Willmer range seamlessly integrates with Trojan's standard options, offering choices such as dimmable functionality and emergency configurations. Additionally, these luminaires can be seamlessly integrated into our intelligent lighting systems through wireless options, ushering in a new era of versatile illumination solutions.

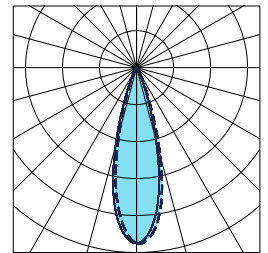
Application: Residential, shopping mall, shop, hotel room, restaurant & bar, museum, art gallery, showroom, office.

# WILLMER ROUND 60



powered by  
**TRIDONIC**

- Colours : ● ○  
Black White
- Baffle : ● ○  
Black White



Part code	Power W	Output lm	Efficacy lm/W	CCT K	CRI Ra	Weight kg
TLWILL/R60/80/3K	10	901	90	3000	80	0.4
TLWILL/R60/80/4K	10	949	95	4000	80	0.4
TLWILL/R60/90/3K	10	766	77	3000	90	0.4
TLWILL/R60/90/4K	10	806	81	4000	90	0.4

BH = Black Housing

WH = White Housing

BB = Black Baffle

WB = White Baffle

20D = 18° Lens

40D = 40° Lens

55D = 55° Lens

TW = Tuneable White

DD = DALI Dimmable

SD = Switch Dim

MD = Mymesh Dim

CD = Casambi Dim

E = Emergency

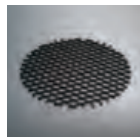
ST = Self Test Emergency

ME = Mymesh Emergency

SL\*\* = Slave



TLWIL/R60/SG  
Striped Glass



TLWIL/R60/HL  
Honeycomb Louvre

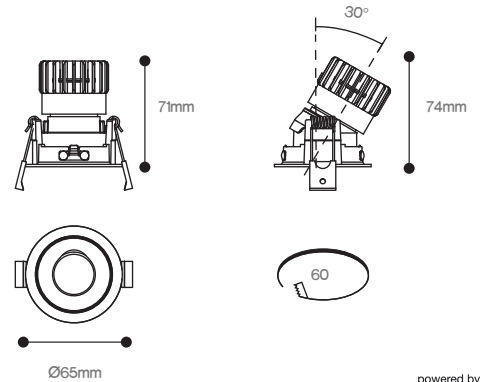


TLWIL/R60/WG  
Woven Glass



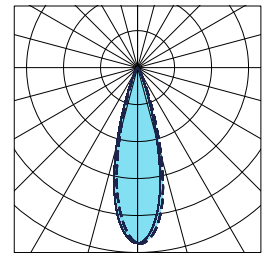
TLWIL/R60/DS  
Diffuse Sheet

# WILLMER ADJ ROUND 60



powered by  
**TRIDONIC**

- Colours : ● ○  
Black White
- Baffle : ● ○  
Black White



Part code	Power W	Output lm	Efficacy lm/W	CCT K	CRI Ra	Weight kg
TLWILL/A/R60/80/3K	10	901	90	3000	80	0.4
TLWILL/A/R60/80/4K	10	949	95	4000	80	0.4
TLWILL/A/R60/90/3K	10	766	77	3000	90	0.4
TLWILL/A/R60/90/4K	10	806	81	4000	90	0.4

BH = Black Housing  
20D = 18° Lens  
DD = DALI Dimmable  
E = Emergency

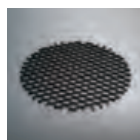
WH = White Housing  
40D = 40° Lens  
SD = Switch Dim  
ST = Self Test Emergency

BB = Black Baffle  
55D = 55° Lens  
MD = Mymesh Dim  
ME = Mymesh Emergency

WB = White Baffle  
TW = Tuneable White  
CD = Casambi Dim  
SL\*\* = Slave



TLWIL/R60/SG  
Striped Glass



TLWIL/R60/HL  
Honeycomb Louvre



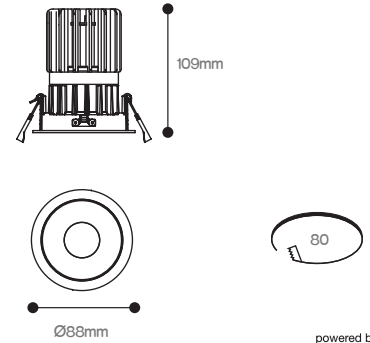
TLWIL/R60/WG  
Woven Glass



TLWIL/R60/DS  
Diffuse Sheet

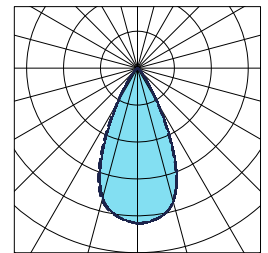


# WILLMER ROUND 80



powered by  
**TRIDONIC**

- Colours : ● ○  
Black White
- Baffle : ● ○  
Black White



Part code	Power W	Output lm	Efficacy lm/W	CCT K	CRI Ra	Weight kg
TLWILL/R80/80/3K	12	1488	124	3000	80	0.6
TLWILL/R80/80/4K	12	1567	131	4000	80	0.6
TLWILL/R80/90/3K	12	1265	105	3000	90	0.6
TLWILL/R80/90/4K	12	1332	111	4000	90	0.6

BH = Black Housing  
30D = 30° Lens  
DD = DALI Dimmable  
E = Emergency

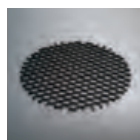
WH = White Housing  
50D = 50° Lens  
SD = Switch Dim  
ST = Self Test Emergency

BB = Black Baffle  
60D = 60° Lens  
MD = Mymesh Dim  
ME = Mymesh Emergency

WB = White Baffle  
TW = Tuneable White  
CD = Casambi Dim  
SL\*\* = Slave



TLWIL/R80/SG  
Striped Glass



TLWIL/R80/HL  
Honeycomb Louvre

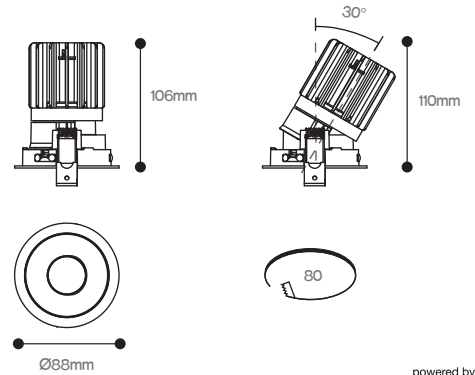


TLWIL/R80/WG  
Woven Glass



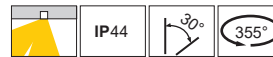
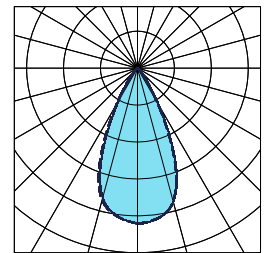
TLWIL/R80/DS  
Diffuse Sheet

# WILLMER ADJ ROUND 80



powered by  
**TRIDONIC**

- Colours : ● ○  
Black White
- Baffle : ● ○  
Black White



Part code	Power W	Output lm	Efficacy lm/W	CCT K	CRI Ra	Weight kg
TLWILL/A/R80/80/3K	12	1488	124	3000	80	0.6
TLWILL/A/R80/80/4K	12	1567	131	4000	80	0.6
TLWILL/A/R80/90/3K	12	1265	105	3000	90	0.6
TLWILL/A/R80/90/4K	12	1332	111	4000	90	0.6

BH = Black Housing  
30D = 30° Lens  
DD = DALI Dimmable  
E = Emergency

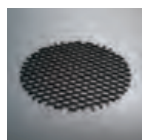
WH = White Housing  
50D = 50° Lens  
SD = Switch Dim  
ST = Self Test Emergency

BB = Black Baffle  
60D = 60° Lens  
MD = Mymesh Dim  
ME = Mymesh Emergency

WB = White Baffle  
TW = Tuneable White  
CD = Casambi Dim  
SL\*\* = Slave



TLWIL/R80/SG  
Striped Glass



TLWIL/R80/HL  
Honeycomb Louvre

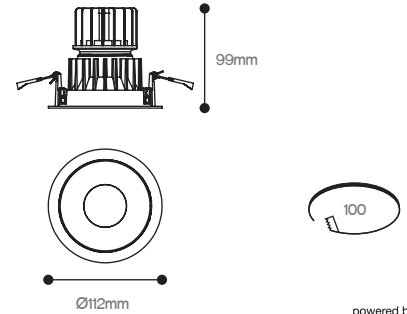


TLWIL/R80/WG  
Woven Glass



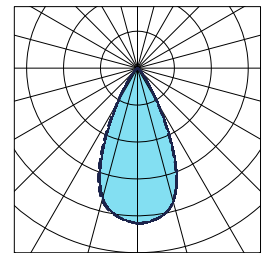
TLWIL/R80/DS  
Diffuse Sheet

# WILLMER ROUND 100



powered by  
**TRIDONIC**

- Colours : ● ○  
Black White
- Baffle : ● ○  
Black White



Part code	Power W	Output lm	Efficacy lm/W	CCT K	CRI Ra	Weight kg
TLWILL/R100/80/3K	25	2647	106	3000	80	0.7
TLWILL/R100/80/4K	25	2786	111	4000	80	0.7
TLWILL/R100/90/3K	25	2250	90	3000	90	0.7
TLWILL/R100/90/4K	25	2368	95	4000	90	0.7

BH = Black Housing  
30D = 30° Lens  
DD = DALI Dimmable  
E = Emergency

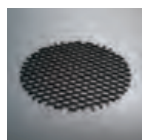
WH = White Housing  
40D = 40° Lens  
SD = Switch Dim  
ST = Self Test Emergency

BB = Black Baffle  
50D = 50° Lens  
MD = Mymesh Dim  
ME = Mymesh Emergency

WB = White Baffle  
60D = 60° Lens  
CD = Casambi Dim  
SL\*\* = Slave



TLWIL/R100/SG  
Striped Glass



TLWIL/R100/HL  
Honeycomb Louvre

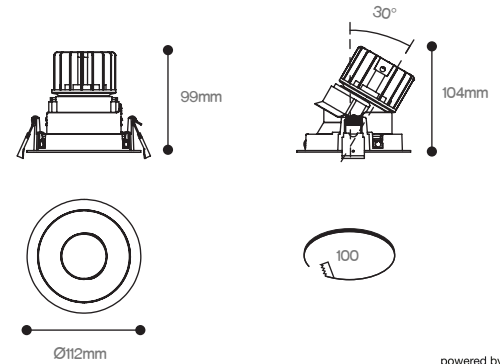


TLWIL/R100/WG  
Woven Glass



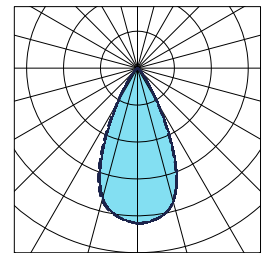
TLWIL/R100/DS  
Diffuse Sheet

# WILLMER ADJ ROUND 100



powered by  
**TRIDONIC**

- Colours : ● ○  
Black White
- Baffle : ● ○  
Black White



Part code	Power W	Output lm	Efficacy lm/W	CCT K	CRI Ra	Weight kg
TLWILL/A/R100/80/3K	25	2647	106	3000	80	0.7
TLWILL/A/R100/80/4K	25	2786	111	4000	80	0.7
TLWILL/A/R100/90/3K	25	2250	90	3000	90	0.7
TLWILL/A/R100/90/4K	25	2368	95	4000	90	0.7

BH = Black Housing  
30D = 30° Lens  
DD = DALI Dimmable  
E = Emergency

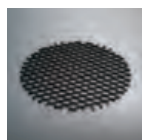
WH = White Housing  
40D = 40° Lens  
SD = Switch Dim  
ST = Self Test Emergency

BB = Black Baffle  
50D = 50° Lens  
MD = Mymesh Dim  
ME = Mymesh Emergency

WB = White Baffle  
60D = 60° Lens  
CD = Casambi Dim  
SL\*\* = Slave



TLWIL/R100/SG  
Striped Glass



TLWIL/R100/HL  
Honeycomb Louvre



TLWIL/R100/WG  
Woven Glass



TLWIL/R100/DS  
Diffuse Sheet