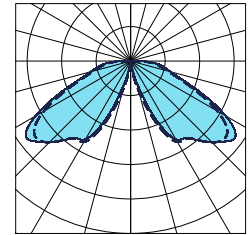
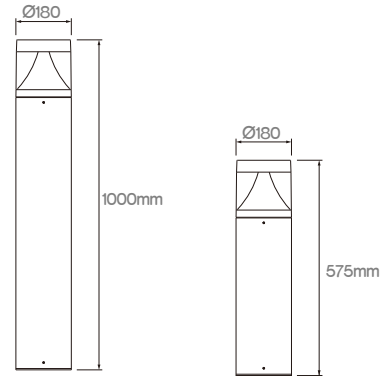


COLBY RANGE



- IP65
- IK10
- L80/B50
100,000 hrs

The Colby range incorporates a powder-coated aluminium die-cast lamp head and extruded aluminium body with a high transparency polycarbonate diffuser, supplied as 1000mm high as standard with a short 575mm version available, with three colour temperatures to choose from, 3000K, 4000K and 6000K. The emergency range of the Colby are fitted with the latest lithium iron phosphate LiFePO4 battery technology, which has a 3-year battery warranty. RAL9005, other RAL colours available on request.

The Colby range seamlessly integrates with Trojan's standard options, offering choices such as dimmable functionality and emergency configurations. Additionally, these luminaires can be seamlessly integrated into our intelligent lighting systems through wireless options, ushering in a new era of versatile illumination solutions.

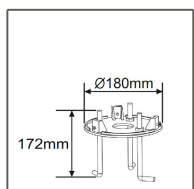
Part code	Power W	Output lm	Diameter mm	Height mm	Efficacy lm/W	CCT K	Weight kg
TLCOL/1000/3K	10	949	180	1000	95	3000	6.4
TLCOL/1000/4K	10	1122	180	1000	112	4000	6.4
TLCOL/1000/6K	10	1122	180	1000	112	6000	6.4
TLCOL/2000/3K	20	2233	180	1000	95	3000	6.4
TLCOL/2000/4K	20	2640	180	1000	112	4000	6.4
TLCOL/2000/6K	20	2640	180	1000	112	6000	6.4

DD = DALI Dimmable
E = Emergency
SH = Short version 575mm

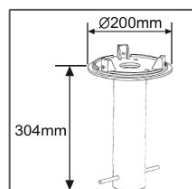
SD = SwitchDim
ST = Self Test Emergency
180 = 180° Spill shield fitted

MD = Mymesh Dim
ME = Mymesh Emergency
PC = Photocell

CD = Casambi Dim
SL** = Slave
PIR = PIR sensor



Root Mounting Kit.
TLCOL/RMK



300mm Bolt-on
Anchor Mounting.
TLCOL/BAM



Factory fitted 180°
Spill Shield.